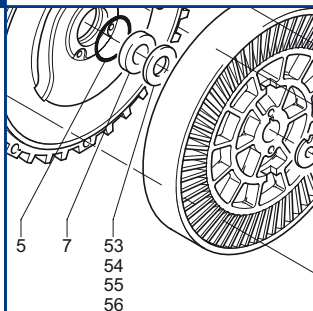


# SV 5.490/1

Ersatzteilliste  
 Spare parts list  
 Liste de pièces de rechange  
 Listino pezzi di ricambio  
 Lista de piezas de recambio  
 Lista de peças sobresselentes  
 Reserveonderdelenlijst  
 Reservdelistsite  
 Reservdelslista

Reservdelistsite  
 Varaosaluettelo  
 Wykaz części zamiennych  
 Seznam náhradních dílů  
 Tartalékalkatrész lista  
 Κατάλογος ανταλλακτικών  
 Yedek parça listesi  
 Перечень запасных частей  
 备用零件目录  
 スペアパーツリスト



**SERVICE**

**BECKER**  
D-42279 Wuppertal  
www.becker-international.com

year

No **A**

type **SV 5.490-XX**

frequency  Hz

speed  min<sup>-1</sup>

power required  kW

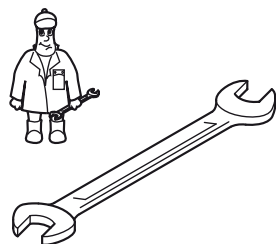
inlet capacity  m<sup>3</sup>/h

pressure +  mbar

vacuum -  mbar

Made in  Germany

Index  
Variante



Wartung  
 Maintenance  
 Entretien  
 Manutenzione  
 Mantenimiento



**SERVICE**  
[www.becker-international.com](http://www.becker-international.com)  
 Sales and service network

SV 5.490/1 Standard



Variante

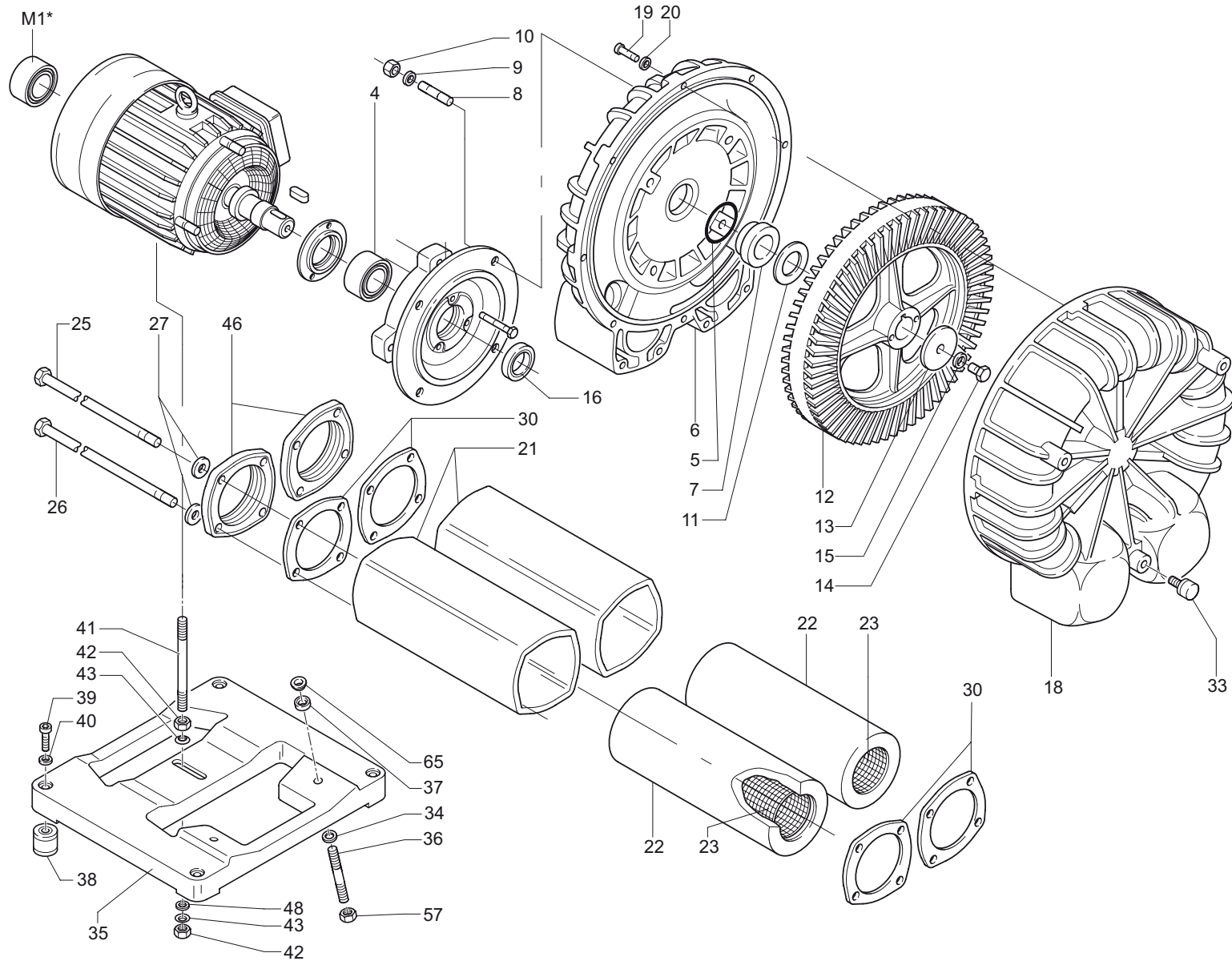


SV 5.490/1-XX

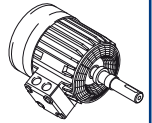
① /1-05  
Korrosionsschutz / ohne Fuß  
corrosion protection / without foot  
protection contre la corrosion  
protezione anti-corrosione  
protección contra la corrosión

② /1-18  
Korrosionsschutz / mit Fuß  
corrosion protection / with foot  
protection contre la corrosion  
protezione anti-corrosione  
protección contra la corrosión

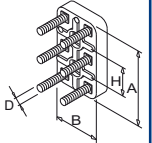
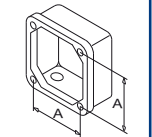
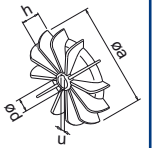
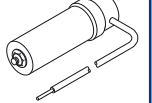
③ /1-30  
ohne Schalldämpfer  
without silencer  
sans silencieux  
senza silenziatore  
sin silenciador




SERVICE ?




C = ?  $\mu$ F  
U = ? V



| A<br>INDEX | Pos.         | Bestell Nr.                   | Beschreibung              |  |
|------------|--------------|-------------------------------|---------------------------|---|
|            |              |                               |                           |   |
| SV 5.490   | 4            | 906611 10000                  | WÄLZLAGER 3208 2 RS C3 TA |   |
|            | 5            | 911317 00000                  | DICHTUNGSSCHLAUCH         |   |
|            | 6            | 000100 16700                  | GEHÄUSE                   |   |
|            | 7            | 013901 16900                  | DISTANZBUCHSE             |   |
|            | 8            | 946937 00000                  | STIFTSCHRAUBE             |   |
|            | 9            | 951705 00000                  | FEDERSCHEIBE              |   |
|            | 10           | 947107 00000                  | SECHSKANTMUTTER           |   |
|            | 11           | 511400 16600                  | SATZ DISTANZSCHEIBEN      |   |
|            | 12           | 000600 16600                  | LAUFRAD                   |   |
|            | 13           | 016800 16600                  | SPANNSCHEIBE              |   |
|            | 14           | 945243 00000                  | SECHSKANTSCHRAUBE         |   |
|            | 15           | 948509 00000                  | FEDERRING                 |   |
|            | 16           | 906578 00000                  | WELLENDICHRING            |   |
|            | 18           | 000200 16700                  | GEHÄUSEDECKEL             |   |
|            | 19           | 945323 00000                  | INNENSECHSKANTSCHRAUBE    |   |
|            | 20           | 951703 00000                  | FEDERSCHEIBE              |   |
|            | 21           | 007420 16600                  | SCHALLDÄMPFERGEHÄUSE      |   |
|            | 22           | 007700 16700                  | DÄMPFER                   |   |
|            | 23           | 007600 71000                  | SIEBROHR                  |   |
|            | 25           | 003807 94000                  | ZUGANKERSCHRAUBE          |   |
|            | 26           | 003803 94000                  | ZUGANKERSCHRAUBE          |   |
|            | 27           | 951703 00000                  | FEDERSCHEIBE              |   |
|            | 30           | 007500 16600                  | DICHTUNG                  |   |
|            | 33           | 741310 10000                  | GUMMIPUFFER               |   |
|            | 34           | 949450 00000                  | U-SCHEIBE                 |   |
|            | 35           | 015100 16600                  | GERÄTEFUSS                |   |
|            | 36           | 951011 00000                  | STIFTSCHRAUBE             |   |
| 37         | 950352 00000 | KEGELPFANNE                   |                           |   |
| 38         | 741302 00000 | GUMMIPUFFER                   |                           |   |
| 39         | 945331 00000 | INNENSECHSKANTSCHRAUBE        |                           |   |
| 40         | 951707 00000 | FEDERSCHEIBE                  |                           |   |
| 41         | 951051 00000 | STIFTSCHRAUBE (BG112)         |                           |   |
| 41         | 003800 16600 | STIFTSCHRAUBE (BG132)         |                           |   |
| 42         | 947106 00000 | SECHSKANTMUTTER               |                           |   |
| 43         | 951710 00000 | FEDERSCHEIBE                  |                           |   |
| 46         | 007800 16600 | ANSCHLUSSFLANSCH              |                           |   |
| 48         | 949410 00000 | U-SCHEIBE                     |                           |   |
| 57         | 947105 00000 | SECHSKANTMUTTER               |                           |   |
| 65         | 950351 00000 | KUGELSCHLEIFE                 |                           |   |
| M1         | 906639 00000 | MOTORLAGER 6306 <sup>1)</sup> |                           |   |
| M1         | 906635 00000 | MOTORLAGER 6308 <sup>1)</sup> |                           |   |
| M1         | 906616 40000 | MOTORLAGER 6208 <sup>1)</sup> |                           |   |
| M1         | 906615 50000 | MOTORLAGER 6309 <sup>1)</sup> |                           |   |
| M1         | 906615 70000 | MOTORLAGER 6310 <sup>1)</sup> |                           |   |

<sup>1)</sup> motorabhängig / Lager sind mit Spezialfett gefüllt. Nur durch Original der Firma Gebr. Becker ersetzen.

| A<br>INDEX | Pos.         | Ident No.                       | Description                  |  |
|------------|--------------|---------------------------------|------------------------------|--|
|            |              |                                 |                              |  |
| SV 5.490   | 4            | 906611 10000                    | BALL BEARING 3208 2 RS C3 TA |  |
|            | 5            | 911317 00000                    | SEAL                         |  |
|            | 6            | 000100 16700                    | PUMP BODY                    |  |
|            | 7            | 013901 16900                    | SPACER                       |  |
|            | 8            | 946937 00000                    | STUD                         |  |
|            | 9            | 951705 00000                    | SPRING DISC                  |  |
|            | 10           | 947107 00000                    | HEX. NUT                     |  |
|            | 11           | 511400 16600                    | SET DISTANCE DISC            |  |
|            | 12           | 000600 16600                    | IMPELLER                     |  |
|            | 13           | 016800 16600                    | CLAMPING DISC                |  |
|            | 14           | 945243 00000                    | HEX-HEAD SCREW               |  |
|            | 15           | 948509 00000                    | SPRING WASHER                |  |
|            | 16           | 906578 00000                    | SHAFT-SEALING RING           |  |
|            | 18           | 000200 16700                    | HOUSING LID                  |  |
|            | 19           | 945323 00000                    | SOCKET HEAD SCREW            |  |
|            | 20           | 951703 00000                    | LOCKING WASHER               |  |
|            | 21           | 007420 16600                    | SILENCER HOUSING             |  |
|            | 22           | 007700 16700                    | SILENCER SPONGE              |  |
|            | 23           | 007600 71000                    | STRAINER TUBE                |  |
|            | 25           | 003807 94000                    | SCREW                        |  |
|            | 26           | 003803 94000                    | ANCHORING SCREW              |  |
|            | 27           | 951703 00000                    | LOCKING WASHER               |  |
|            | 30           | 007500 16600                    | GASKET                       |  |
|            | 33           | 741310 10000                    | RUBBER BUFFER                |  |
|            | 34           | 949450 00000                    | WASHER                       |  |
|            | 35           | 015100 16600                    | FOOT                         |  |
|            | 36           | 951011 00000                    | STUD                         |  |
| 37         | 950352 00000 | CONICAL SEAT                    |                              |  |
| 38         | 741302 00000 | RUBBER BUFFER                   |                              |  |
| 39         | 945331 00000 | SOCKET HEAD SCREW               |                              |  |
| 40         | 951707 00000 | SPRING DISC                     |                              |  |
| 41         | 951051 00000 | STUD (BG112)                    |                              |  |
| 41         | 003800 16600 | STUD (BG132)                    |                              |  |
| 42         | 947106 00000 | HEX.NUT                         |                              |  |
| 43         | 951710 00000 | SPRING DISC                     |                              |  |
| 46         | 007800 16600 | CONNECTING FLANGE               |                              |  |
| 48         | 949410 00000 | WASHER                          |                              |  |
| 57         | 947105 00000 | HEX.NUT                         |                              |  |
| 65         | 950351 00000 | SPHERICAL WASHER                |                              |  |
| M1         | 906639 00000 | BALL BEARING 6306 <sup>1)</sup> |                              |  |
| M1         | 906635 00000 | BALL BEARING 6308 <sup>1)</sup> |                              |  |
| M1         | 906616 40000 | BALL BEARING 6208 <sup>1)</sup> |                              |  |
| M1         | 906615 50000 | BALL BEARING 6309 <sup>1)</sup> |                              |  |
| M1         | 906615 70000 | BALL BEARING 6310 <sup>1)</sup> |                              |  |

<sup>1)</sup> motor-dependent / Bearings are filled with special grease. Only be replaced by Gebrüder Beckers original.

| A<br>INDEX | Pos.         | No. Identification                    | Designation                        | FR |  |
|------------|--------------|---------------------------------------|------------------------------------|----|--|
|            |              |                                       |                                    |    |  |
| SV 5.490   | 4            | 906611 10000                          | ROULEMENT A BILLES 3208 2 RS C3 TA |    |  |
|            | 5            | 911317 00000                          | JOINT                              |    |  |
|            | 6            | 000100 16700                          | CORP DE POMPE                      |    |  |
|            | 7            | 013901 16900                          | DOUILLE                            |    |  |
|            | 8            | 946937 00000                          | PRISONNIER                         |    |  |
|            | 9            | 951705 00000                          | DISQUE DE RESSORT                  |    |  |
|            | 10           | 947107 00000                          | ECROU A 6 PANS                     |    |  |
|            | 11           | 511400 16600                          | JEU DISQUE DE TOLERANCE            |    |  |
|            | 12           | 000600 16600                          | ROUE                               |    |  |
|            | 13           | 016800 16600                          | DISQUE DE SERRAGE                  |    |  |
|            | 14           | 945243 00000                          | VIS HEXAGONALE                     |    |  |
|            | 15           | 948509 00000                          | ANNEAU-RESSORT                     |    |  |
|            | 16           | 906578 00000                          | BAGUE D'ETANCHEITE P.L'AXE         |    |  |
|            | 18           | 000200 16700                          | COUVERCLE                          |    |  |
|            | 19           | 945323 00000                          | VIS HEXAGONALE INTERNE             |    |  |
|            | 20           | 951703 00000                          | RONDELLE À RESSORT                 |    |  |
|            | 21           | 007420 16600                          | CARCASSE SILENCIEUX                |    |  |
|            | 22           | 007700 16700                          | MOUSSE POUR SILENCIEUX             |    |  |
|            | 23           | 007600 71000                          | GRILLE POUR SILENCIEUX             |    |  |
|            | 25           | 003807 94000                          | VIS                                |    |  |
|            | 26           | 003803 94000                          | VIS D'ANCRAGE                      |    |  |
|            | 27           | 951703 00000                          | RONDELLE À RESSORT                 |    |  |
|            | 30           | 007500 16600                          | JOINT                              |    |  |
|            | 33           | 741310 10000                          | AMORTISSEUR EN CAOUTCHOUC          |    |  |
|            | 34           | 949450 00000                          | RONDELLE                           |    |  |
|            | 35           | 015100 16600                          | PIED                               |    |  |
|            | 36           | 951011 00000                          | PRISONNIER                         |    |  |
|            | 37           | 950352 00000                          | RONDELLE A ROTULE CONCAVE          |    |  |
|            | 38           | 741302 00000                          | AMORTISSEUR EN CAOUTCHOUC          |    |  |
|            | 39           | 945331 00000                          | VIS HEXAGONALE INTERNE             |    |  |
|            | 40           | 951707 00000                          | DISQUE DE RESSORT                  |    |  |
|            | 41           | 951051 00000                          | PRISONNIER (BG112)                 |    |  |
|            | 41           | 003800 16600                          | PRISONNIER (BG132)                 |    |  |
| 42         | 947106 00000 | ECROU A 6 PANS                        |                                    |    |  |
| 43         | 951710 00000 | DISQUE DE RESSORT                     |                                    |    |  |
| 46         | 007800 16600 | BRIDE DE RACCORDEMENT                 |                                    |    |  |
| 48         | 949410 00000 | RONDELLE                              |                                    |    |  |
| 57         | 947105 00000 | ECROU A 6 PANS                        |                                    |    |  |
| 65         | 950351 00000 | RONDELLE A PORTEE SPHERIQUE           |                                    |    |  |
| M1         | 906639 00000 | ROULEMENT A BILLES 6306 <sup>1)</sup> |                                    |    |  |
| M1         | 906635 00000 | ROULEMENT A BILLES 6308 <sup>1)</sup> |                                    |    |  |
| M1         | 906616 40000 | ROULEMENT A BILLES 6208 <sup>1)</sup> |                                    |    |  |
| M1         | 906615 50000 | ROULEMENT A BILLES 6309 <sup>1)</sup> |                                    |    |  |
| M1         | 906615 70000 | ROULEMENT A BILLES 6310 <sup>1)</sup> |                                    |    |  |

<sup>1)</sup>dépendant du moteur / Les roulements sont remis d'une graisse spéciale. N'utiliser que de la graisse d'origine de Gebrüder Becker.

| A<br>INDEX | Pos.         | No. Identificazione                   | Designazione                       | IT |  |
|------------|--------------|---------------------------------------|------------------------------------|----|--|
|            |              |                                       |                                    |    |  |
| SV 5.490   | 4            | 906611 10000                          | CUSCINETTO A SFERA 3208 2 RS C3 TA |    |  |
|            | 5            | 911317 00000                          | GUARNIZIONE                        |    |  |
|            | 6            | 000100 16700                          | CARCASSA                           |    |  |
|            | 7            | 013901 16900                          | BOCCOLA                            |    |  |
|            | 8            | 946937 00000                          | L'ASTA A VITE                      |    |  |
|            | 9            | 951705 00000                          | DISCO A MOLLA                      |    |  |
|            | 10           | 947107 00000                          | DADO ESAGONALE                     |    |  |
|            | 11           | 511400 16600                          | SERIE DISCO GIUOCO                 |    |  |
|            | 12           | 000600 16600                          | GIRANTE                            |    |  |
|            | 13           | 016800 16600                          | DISCO DI FISSAGGIO                 |    |  |
|            | 14           | 945243 00000                          | VITE ESAGONALE                     |    |  |
|            | 15           | 948509 00000                          | ANELLO A MOLLA                     |    |  |
|            | 16           | 906578 00000                          | GUARNIZIONE PER L'ALBERO           |    |  |
|            | 18           | 000200 16700                          | COPERCHIO                          |    |  |
|            | 19           | 945323 00000                          | VITE ESAGONALE INTERNA             |    |  |
|            | 20           | 951703 00000                          | DISCO A MOLLA                      |    |  |
|            | 21           | 007420 16600                          | CARCASSA SILENZIATORE              |    |  |
|            | 22           | 007700 16700                          | MATERIALE PER SILENZIATORE         |    |  |
|            | 23           | 007600 71000                          | TUBO-CRIVELLO                      |    |  |
|            | 25           | 003807 94000                          | VITE                               |    |  |
|            | 26           | 003803 94000                          | CHIAVARDA D'ANCORAGGIO             |    |  |
|            | 27           | 951703 00000                          | DISCO A MOLLA                      |    |  |
|            | 30           | 007500 16600                          | GUARNIZIONE                        |    |  |
|            | 33           | 741310 10000                          | AMMORTIZZATORE IN GOMMA            |    |  |
|            | 34           | 949450 00000                          | RONDELLA                           |    |  |
|            | 35           | 015100 16600                          | PIASTRA DI APPOGGIO                |    |  |
|            | 36           | 951011 00000                          | L'ASTA A VITE                      |    |  |
|            | 37           | 950352 00000                          | CROGIOLO                           |    |  |
|            | 38           | 741302 00000                          | AMMORTIZZATORE IN GOMMA            |    |  |
|            | 39           | 945331 00000                          | VITE ESAGONALE INTERNA             |    |  |
|            | 40           | 951707 00000                          | DISCO A MOLLA                      |    |  |
|            | 41           | 951051 00000                          | L'ASTA A VITE (BG112)              |    |  |
|            | 41           | 003800 16600                          | L'ASTA A VITE (BG132)              |    |  |
| 42         | 947106 00000 | DADO ESAGONALE                        |                                    |    |  |
| 43         | 951710 00000 | DISCO A MOLLA                         |                                    |    |  |
| 46         | 007800 16600 | FLANGIA DI RACCORDO                   |                                    |    |  |
| 48         | 949410 00000 | RONDELLA                              |                                    |    |  |
| 57         | 947105 00000 | DADO ESAGONALE                        |                                    |    |  |
| 65         | 950351 00000 | CALOTTE                               |                                    |    |  |
| M1         | 906639 00000 | CUSCINETTO A SFERA 6306 <sup>1)</sup> |                                    |    |  |
| M1         | 906635 00000 | CUSCINETTO A SFERA 6308 <sup>1)</sup> |                                    |    |  |
| M1         | 906616 40000 | CUSCINETTO A SFERA 6208 <sup>1)</sup> |                                    |    |  |
| M1         | 906615 50000 | CUSCINETTO A SFERA 6309 <sup>1)</sup> |                                    |    |  |
| M1         | 906615 70000 | CUSCINETTO A SFERA 6310 <sup>1)</sup> |                                    |    |  |

<sup>1)</sup>dipende del motore / I cuscinetti sono riempiti di grasso speciale. Eseguire il reingrassaggio solo con grasso originale della Gebrüder Becker.

| A<br>INDICE | Pos. | No. De pedido | Descripción                               |  |
|-------------|------|---------------|---|---|
| SV 5.490    | 4    | 906611 10000  | COJINETE DE RODAMIENTO 3208 2 RS C3 TA    |   |
|             | 5    | 911317 00000  | MANGUERA DE JUNTA                         |   |
|             | 6    | 000100 16700  | CARCASA                                   |   |
|             | 7    | 013901 16900  | CASQUILLO DISTANCIADOR                    |   |
|             | 8    | 946937 00000  | ESPÁRRAGO                                 |   |
|             | 9    | 951705 00000  | ARANDELA ELÁSTICA                         |   |
|             | 10   | 947107 00000  | TUERCA HEXAGONAL                          |   |
|             | 11   | 511400 16600  | JUEGO DE ARANDELAS DISTANCIADORAS         |   |
|             | 12   | 000600 16600  | RUEDA CORREDERA                           |   |
|             | 13   | 016800 16600  | ARANDELA TENSORA                          |   |
|             | 14   | 945243 00000  | TORNILLO DE CABEZA HEXAGONAL              |   |
|             | 15   | 948509 00000  | ARANDELA DE MUELLE                        |   |
|             | 16   | 906578 00000  | ANILLO DE JUNTA DE ÁRBOL                  |   |
|             | 18   | 000200 16700  | TAPA DE CARCASA                           |   |
|             | 19   | 945323 00000  | TORNILLO HEXAGONAL INTERIOR               |   |
|             | 20   | 951703 00000  | ARANDELA ELÁSTICA                         |   |
|             | 21   | 007420 16600  | CARCASA DE SILENCIADOR                    |   |
|             | 22   | 007700 16700  | AMORTIGUADOR                              |   |
|             | 23   | 007600 71000  | TUBO DE CRIBA                             |   |
|             | 25   | 003807 94000  | TORNILLO TIRANTE                          |   |
|             | 26   | 003803 94000  | TORNILLO DE ANCLAJE                       |   |
|             | 27   | 951703 00000  | ARANDELA ELÁSTICA                         |   |
|             | 30   | 007500 16600  | JUNTA                                     |   |
|             | 33   | 741310 10000  | AMORTIGUADOR DE GOMA                      |   |
|             | 34   | 949450 00000  | ARANDELA                                  |   |
|             | 35   | 015100 16600  | PIE DE APARATO                            |   |
|             | 36   | 951011 00000  | ESPÁRRAGO                                 |   |
|             | 37   | 950352 00000  | CAZOLETA                                  |   |
|             | 38   | 741302 00000  | AMORTIGUADOR DE GOMA                      |   |
|             | 39   | 945331 00000  | TORNILLO HEXAGONAL INTERIOR               |   |
|             | 40   | 951707 00000  | ARANDELA ELÁSTICA                         |   |
|             | 41   | 951051 00000  | ESPÁRRAGO (BG112)                         |   |
|             | 41   | 003800 16600  | ESPÁRRAGO (BG132)                         |   |
|             | 42   | 947106 00000  | TUERCA HEXAGONAL                          |   |
|             | 43   | 951710 00000  | ARANDELA ELÁSTICA                         |   |
|             | 46   | 007800 16600  | BRIDA DE EMPALME                          |   |
|             | 48   | 949410 00000  | ARANDELA                                  |   |
|             | 57   | 947105 00000  | TUERCA HEXAGONAL                          |   |
|             | 65   | 950351 00000  | ARANDELA ESFÉRICA                         |   |
|             | M1   | 906639 00000  | COJINETE DE RODAMIENTO 6306 <sup>1)</sup> |   |
|             | M1   | 906635 00000  | COJINETE DE RODAMIENTO 6308 <sup>1)</sup> |   |
|             | M1   | 906616 40000  | COJINETE DE RODAMIENTO 6208 <sup>1)</sup> |   |
|             | M1   | 906615 50000  | COJINETE DE RODAMIENTO 6309 <sup>1)</sup> |   |
|             | M1   | 906615 70000  | COJINETE DE RODAMIENTO 6310 <sup>1)</sup> |   |

<sup>1)</sup> dependiente del motor / Los rodamientos estan rellenos de grasa especial. Sólo reemplazar por grasa original de Gebrüder Becker.

| SV5.490/1-XX Variante<br>  | Pos. <sup>2)</sup> | Bestell Nr. / Ident No. / No. Identification /<br>No. Identificazione / No. De pedido |                         | Beschreibung / Description / Designation / Designazione / Desripcion   |
|--|--------------------|---|-------------------------|--|
|  |                    |   |                         |  |
| ① /1-05<br>② /1-18<br>Korrosionsschutz<br>corrosion protection<br>protection contre la corrosion<br>protezione anti-corrosione<br>protección contra la corrosión | 6                  | 000110 16600  | <del>000100 16600</del> | GEHÄUSE / PUMP BODY / CORP DE POMPE / CARCASSA / CARCASA   |
|  | 12                 | 000610 16600  | <del>000600 16600</del> | LAUFRAD / IMPELLER / ROUE / GIRANTE / RUEDA CORREDERA  |
|  | 13                 | 016810 16600  | <del>016800 16600</del> | SPANNSCHEIBE / CLAMPING DISC / DISQUE DE SERRAGE / DISCO DI FISSAGGIO / ARANDELA TENSORA                                   |
|  | 18                 | 000210 16600  | <del>948509 00000</del> | GEHÄUSEDECKEL / HOUSING LID / COUVERCLE / COPERCHIO / TAPA DE CARCASA  |
|  | 21                 | 007412 16600  | <del>007420 16600</del> | SCHALLDÄMPFERGEHÄUSE / SILENCER HOUSING / CARCASSE SILENCIEUX / CARCASSA SILENZIATORE / CARCASA DE SILENCIADOR             |
|  | 23                 | 007610 57000  | <del>007600 57000</del> | SIEBROHR / STRAINER TUBE / GRILLE POUR SILENCIEUX / TUBO-CRIVELLO / TUBO DE CRIBA  |
| ③ /1-30<br>ohne Schalldämpfer<br>without silencer<br>sans silencieux<br>senza silenziatore<br>sin silenciador  | 12                 | 000601 16600  | <del>000600 16600</del> | LAUFRAD / IMPELLER / ROUE / GIRANTE / RUEDA CORREDERA  |
|  | 21                 |   | <del>007420 16600</del> | SCHALLDÄMPFERGEHÄUSE / SILENCER HOUSING / CARCASSE SILENCIEUX / CARCASSA SILENZIATORE / CARCASA DE SILENCIADOR             |
|  | 22                 |   | <del>007700 16700</del> | DÄMPFER / SILENCER SPONGE / MOUSSE POUR SILENCIEUX / MATERIALE PER SILENZIATORE / AMORTIGUADOR                             |
|  | 23                 |   | <del>007600 71000</del> | SIEBROHR / STRAINER TUBE / GRILLE POUR SILENCIEUX / TUBO-CRIVELLO / TUBO DE CRIBA  |
|  | 25                 |   | <del>003807 94000</del> | ZUGANKERSCHRAUBE / ANCHORING SCREW / VIS D'ANCRAGE / CHIAVARDA D'ANCORAGGIO / TORNILLO DE ANCLAJE                          |
|  | 26                 |   | <del>003803 94000</del> | ZUGANKERSCHRAUBE / ANCHORING SCREW / VIS D'ANCRAGE / CHIAVARDA D'ANCORAGGIO / TORNILLO DE ANCLAJE                          |
|  | 27                 |   | <del>951703 00000</del> | FEDERSCHEIBE / LOCKING WASHER / RONDELLE À RESSORT / DISCO A MOLLA / ARANDELA ELÁSTICA                                     |
|  | 30                 |   | <del>007500 16600</del> | DICHTUNG / GASKET / JOINT / GUARNIZIONE / JUNTA  |
|  | 33                 |   | <del>741310 10000</del> | GUMMIPUFFER / RUBBER BUFFER / AMORTISSEUR EN CAOUTCHOUC / AMMORTIZZATORE IN GOMMA / AMORTIGUADOR DE GOMA                   |
|  | 46                 |   | <del>007800 16600</del> | ANSCHLUSSFLANSCH / CONNECTING FLANGE / BRIDE DE RACCORDEMENT / FLANGIA DI RACCORDO / BRIDA DE EMPALME                      |
|  | 50                 | 062900 16600  |                         | ABDECKUNG / COVERING / REVÊTEMENT / RIVESTIMENTO / RECUBRIMIENTO   |
|  | 54                 | 945320 00000  |                         | INNENSECHSKANTSCHRAUBE / SOCKET HEAD SCREW / VIS HEXAGONALE INTERNE / VITE ESAGONALE INTERNA / TORNILLO HEXAGONAL INTERIOR |

<sup>2)</sup> variantenabhängige Bauteile / variant-dependent components / composants variante-dependantes / componenti variante-dispendenti / componentes variante-dependientes