

Betriebsanleitung  
 Operating Instructions  
 Instructions de service  
 Istruzioni d'uso  
 Handleiding  
 Instrucciones para el manejo  
 Manual de instruções  
 Naudojimosi instrukcija  
 Kasutusjuhend  
 Lietošanas instrukcija  
 Driftsinstruks  
 Driftsinstruktioner  
 Käyttöohje  
 Driftsvejledning  
 Instrukcja obsługi

Kezelési útmutató  
 Návod k obsluze  
 Navodilo za uporabo  
 Návod na obsluhu  
 Upute za rad  
 Manual de operatii  
 Treoracha Oibriúcháin  
 Οδηγίες χρήσης  
 El Kitabi  
 Инструкции за експлоатация  
 Инструкция по эксплуатации  
 取扱説明書  
 사용설명서  
 使用说明书


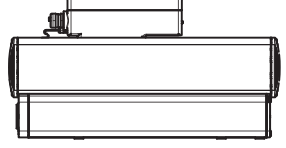

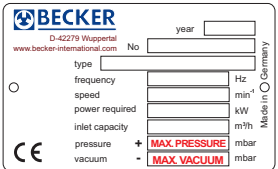
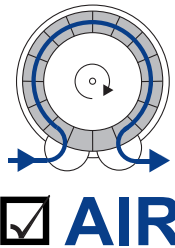


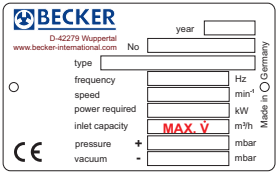





**VASF 1.50/1**  
**VASF 1.50/2**

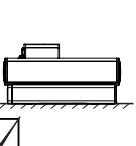
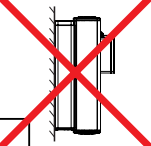

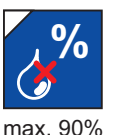

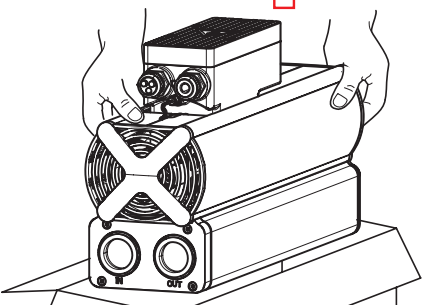

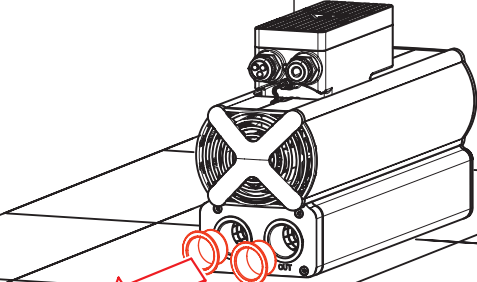
2006/42/EG



DIN EN ISO 14001:2005

DIN EN ISO 9001  
001929 QM

 		<b>MAX. PRESSURE</b>  <b>MAX. VACUUM</b>		<b>CE</b>	<b>mbar</b>
				<b>CE</b>	<b>m<sup>3</sup>/h</b>
					
		<b>DIN EN ISO 3744</b>	<b>L<sub>pA</sub> = 63 dB(A)</b> <b>K<sub>pA</sub> = 3 dB(A)</b>		
					

			<b>&gt; 0°C/32°F</b> <b>&lt; 45°C/113°F</b>		<b>max. 90%</b>		<b>max. 800m</b>
		<b>7 kg</b> <b>15,4 lbs</b>					
<b>1</b>							
							
<b>2</b>							

analog interface	X10:1	ANALOG_OUT	Default: Frequency actual
	X10:2	GND	
	X10:3	ANALOG_IN (+)	Default: Set point
	X10:4	GND	
digital interface	X10:5	+24V	Default: Start/Stop
	X10:6	DIGITAL_IN	
serial interface RS485	X11:1	GND	
	X11:2	RS485_A	
	X11:3	RS485_B	
relay	X12:1	REL._A	Default: Collective fault message
	X12:2	REL._Ref.	
	X12:3	REL._B	
power supply	X14:1	L1 - 100...240V <sub>AC</sub> ±10% (⚠ permanent)	
	X14:2	PE	
	X14:3	N	

**3**

2x Pos. 102  
No.: 74180042600

**4**

malfunction  
acknowledgment

X10:5  
X10:6

**5**

ON (1) -    1    2    MAX 10/h

OFF (0) -     $\geq 30s$

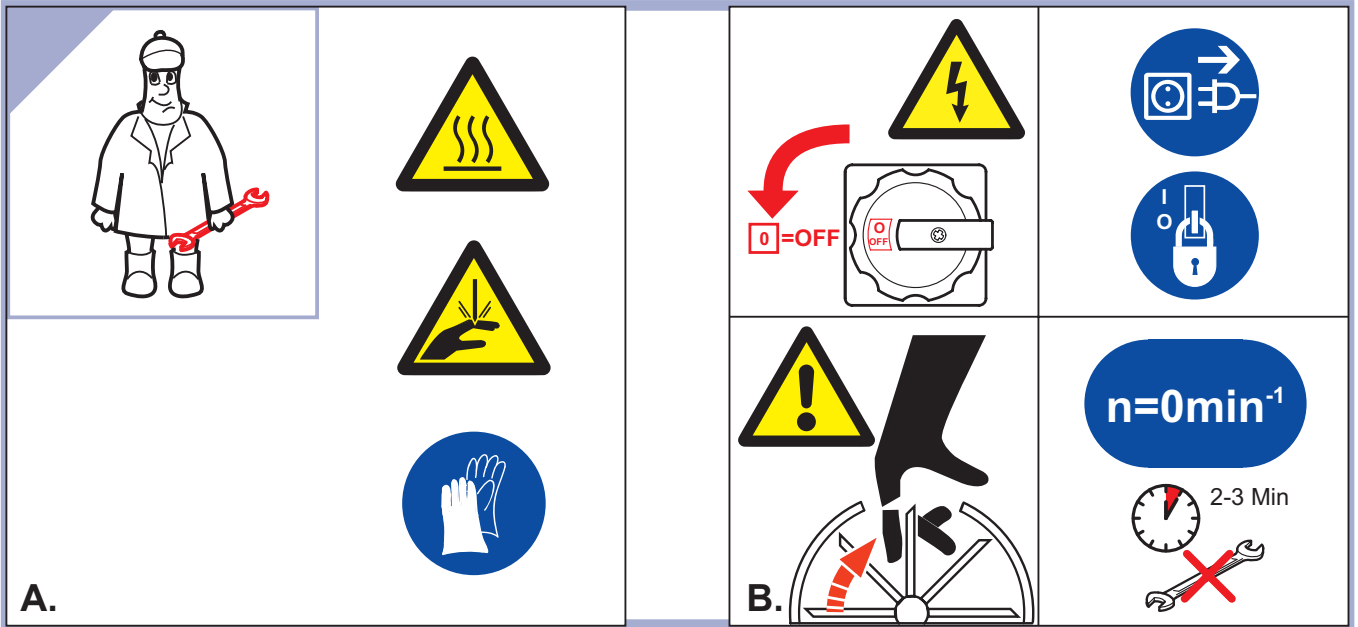
**6**

VACUUM

PRESSURE

ϕ 1"

**7**



<p><a href="http://www.becker-international.com">www.becker-international.com</a></p>	<p>Gebr. Becker GmbH  Hölker Feld 29-31  D-42279 Wuppertal  <a href="mailto:info@becker-international.com">info@becker-international.com</a></p> <hr/> <p><b>SERVICE</b>  <a href="http://www.becker-international.com">www.becker-international.com</a>  Sales and service network</p>
---	---

