

Betriebsanleitung
 Operating Instructions
 Instructions de service
 Istruzioni d'uso
 Handleiding
 Instrucciones para el manejo
 Manual de instruções
 Naudojimosi instrukcija
 Kasutusjuhend
 Lietošanas instrukcija
 Driftsinstruks
 Driftsinstruktioner
 Käyttöohje
 Driftsvejledning
 Instrukcja obsługi

Kezelési útmutató
 Návod k obsluze
 Navodilo za uporabo
 Návod na obsluhu
 Upute za rad
 Manual de operatii
 Treoracha Oibriúcháin
 Οδηγίες χρήσης
 El Kitabi
 Инструкции за експлоатация
 Инструкция по эксплуатации
 取扱説明書
 사용설명서
 使用说明书


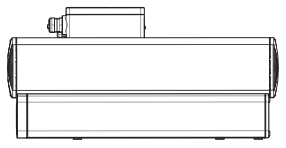


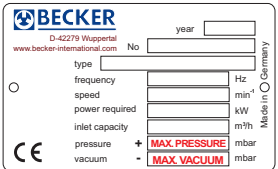

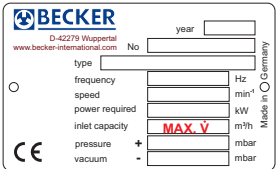
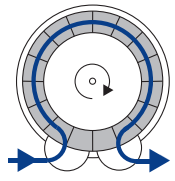




VASF 1.120/1
VASF 1.120/2

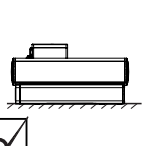
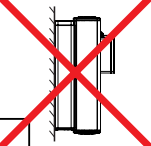



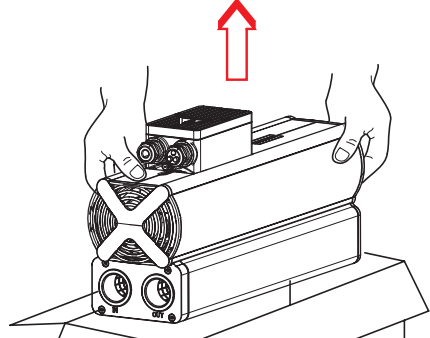

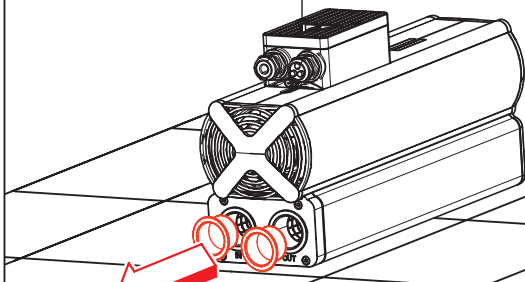
2006/42/EG




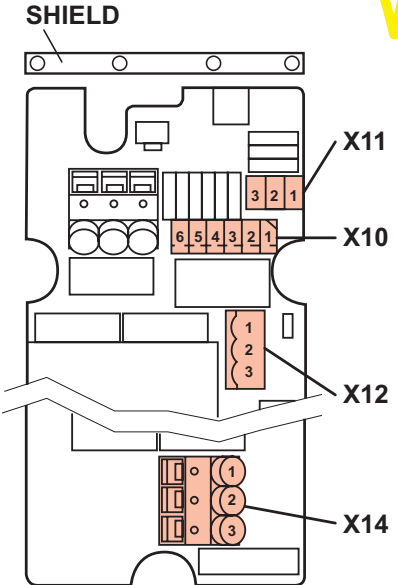
DIN EN ISO 14001:2005

DIN EN ISO 9001
001929 QM

 	 	MAX. PRESSURE MAX. VACUUM		mbar
		 MAX.		m ³ /h
 AIR	   	DIN EN ISO 3744	L_{pA} = 74 dB(A) K_{pA} = 3 dB(A)	

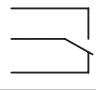
 	 > 0°C/32°F < 45°C/113°F	 max. 90%	 max. 800m
1   24 kg 53 lbs	2 		









analog interface	X10:1	ANALOG_OUT	Default: Frequency actual
	X10:2	GND	
	X10:3	ANALOG_IN (+)	Default: Set point
	X10:4	GND	
digital interface	X10:5	+24V	Default: Start/Stop
	X10:6	DIGITAL_IN	

serial interface RS485	X11:1	GND
	X11:2	RS485_A
	X11:3	RS485_B


relay	X12:1	REL. _A	 Default: Collective fault message
	X12:2	REL. _Ref.	
	X12:3	REL. _B	

power supply	X14:1 (2 Versions)	L1 - 100...240V _{AC} ±10%	   voltage 2x-240V
		L1 - 200...240V _{AC} ±10%	
	X14:2	PE	
	X14:3	N	

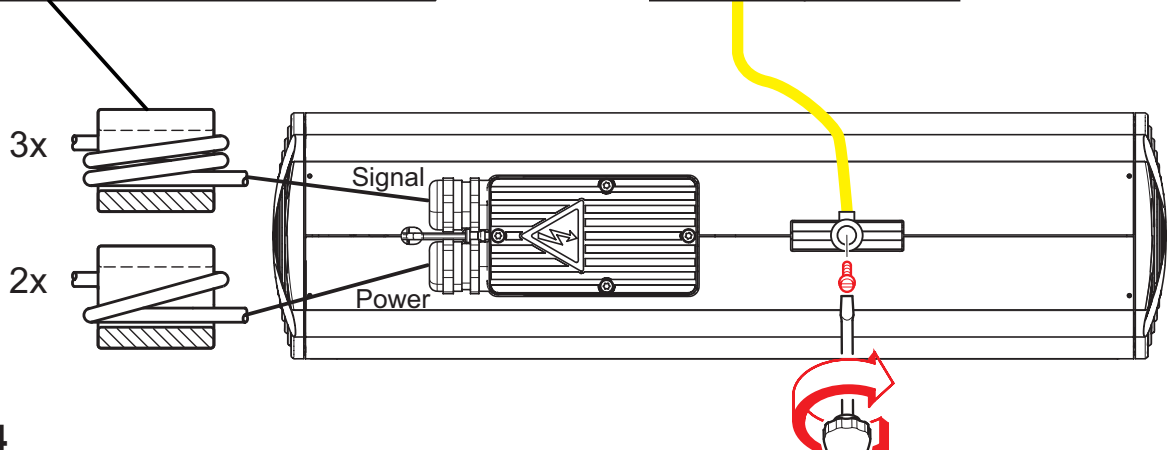
3




2x Pos. 102
No.: 74180042600



$I_{\perp} > 5\text{mA}$
DIN EN 61800-5-1



4



malfunction acknowledgment

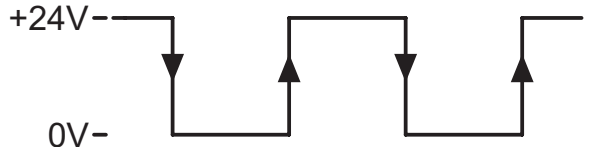
X10:5
X10:6

①


acknowledgment

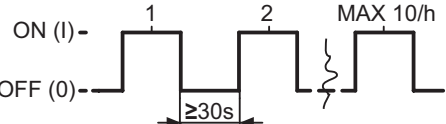
②

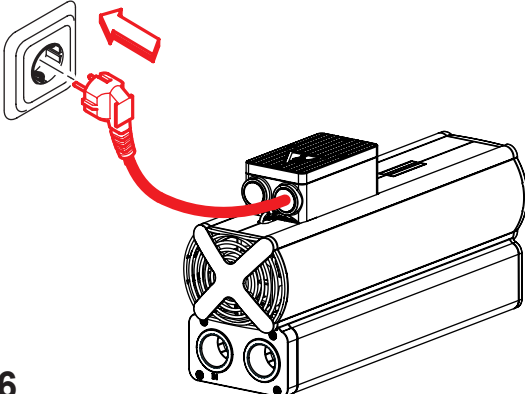
release



5







6

		$\phi 1\frac{1}{2}''$	
VACUUM PRESSURE			
7			

A.		B.	

 www.becker-international.com	 Gebr. Becker GmbH Hölker Feld 29-31 D-42279 Wuppertal info@becker-international.com
	 SERVICE www.becker-international.com Sales and service network

